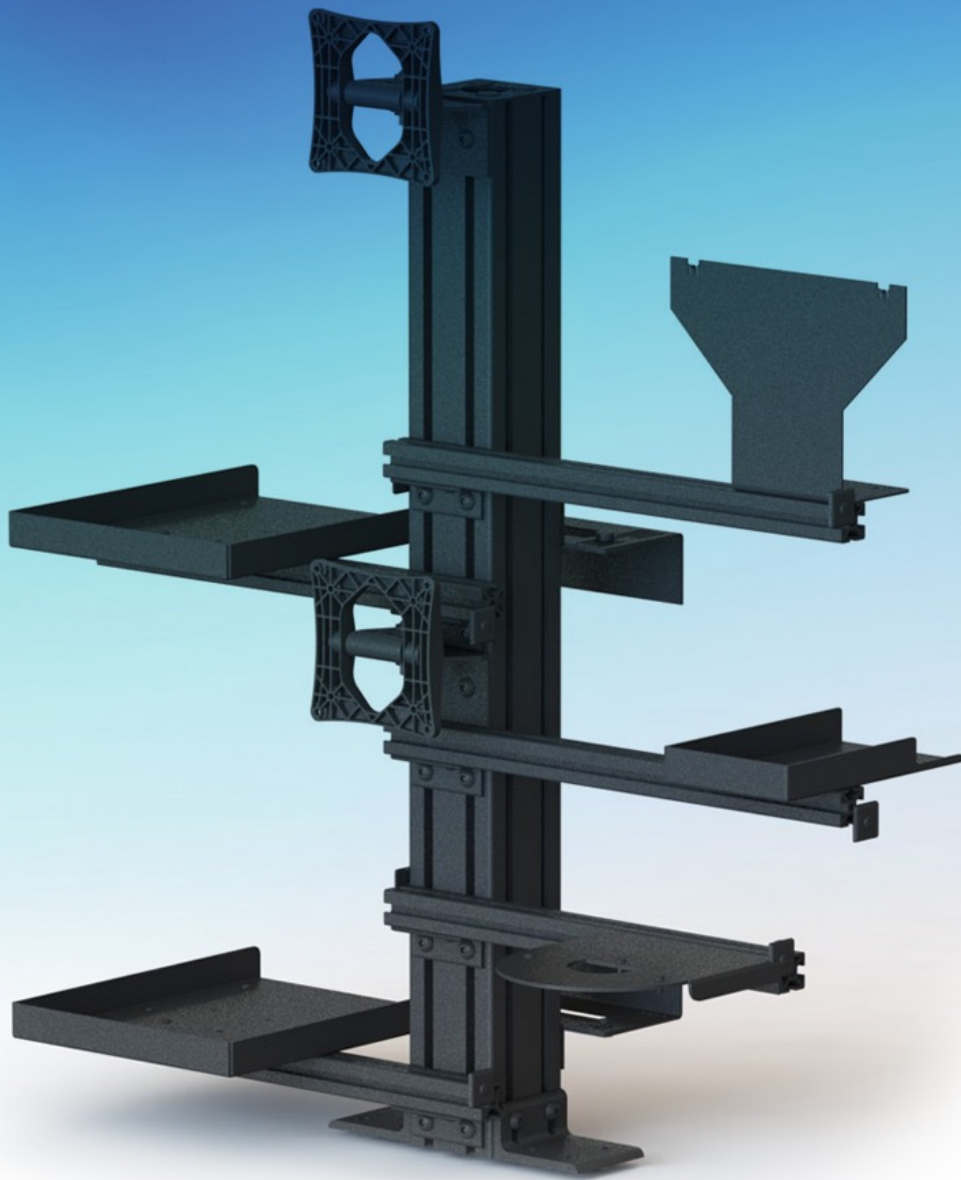


STANDARD DESIGN CATALOG



INTRODUCTION

Thank you for your interest in the Source Communications line of products. We hope we can help you find the perfect solution for all your mounting and organization needs. Our goal is to provide you with a modular solution that can grow and change along with your company. We provide mounting solutions for almost any product, and if we do not have it now, we are happy to make it for you.

Our Modular Poles™ are made in America. We start with vertical aluminum extrusions and these are the foundation to mount all your electronic equipment. From monitors to fingerprint scanners, we have a solution!

Upgrading your equipment or changing your POS system? You don't need to replace the pole, just purchase an add on kit. Your modular pole is a modern and sleek way to organize your equipment workspace.

Our UnderStand™ line of products are durable, adaptable and can be used to mount any of the major credit card readers. We use a patented constant friction hinge for tilting that never fails. No more propping up your card reader stands with receipt paper rolls. Our UnderStands and Modular Pole system™ products are future proof. If you upgrade your card reader, you don't need to replace the whole stand. Keep the base mounted and order the correct adapter plate, and your upgrade will be completed seamlessly.

CONTACT INFORMATION

Address:

2260 Industrial Ln

Broomfield, CO 80020

Phone: (303) 466-8925

salesteam@source-communications.com

www.source-communications.com

HOW TO ORDER

We have no order minimums for the items contained in this catalog.

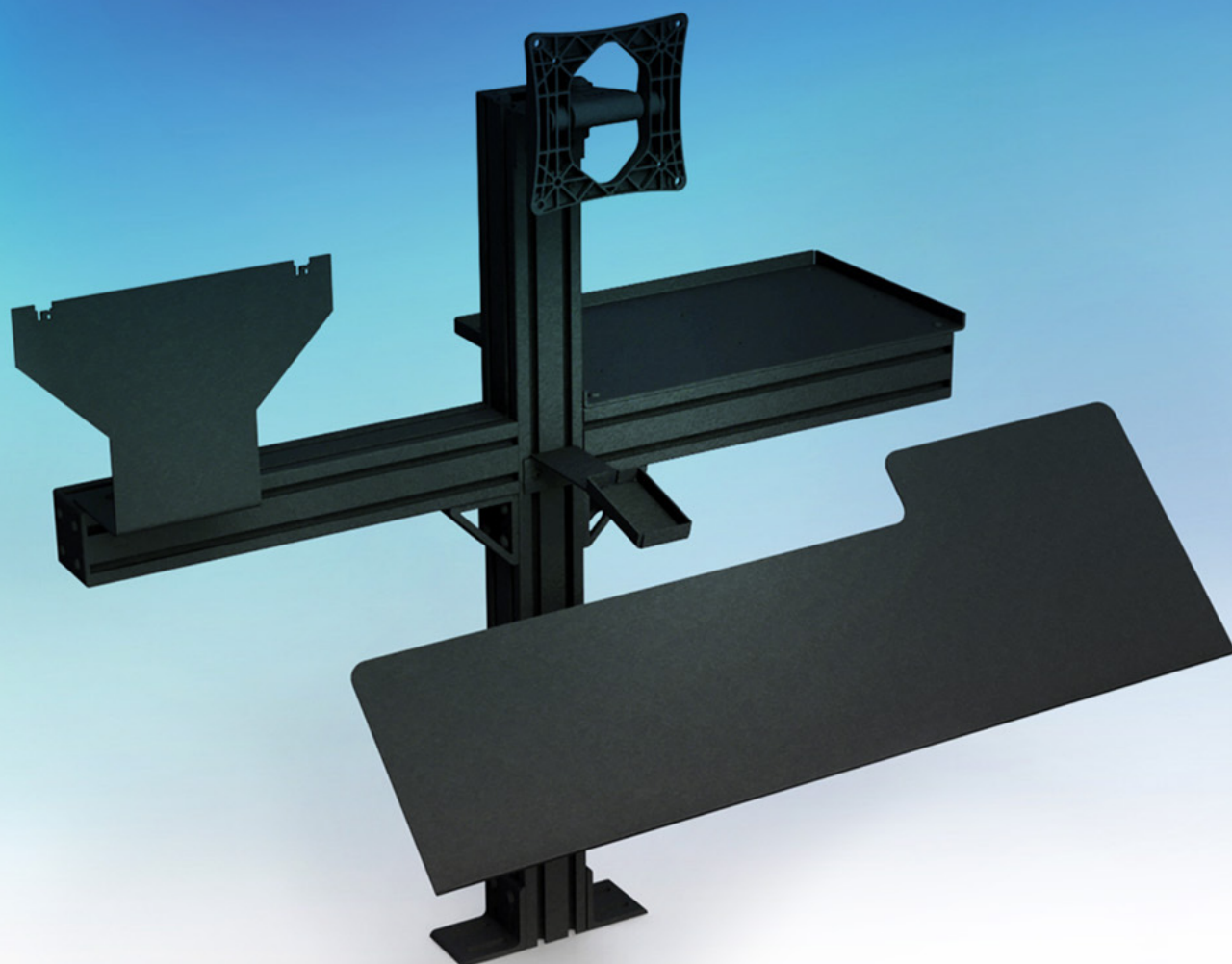
Reach out to us no matter how big or small your need.

When ordering, send an email to

Salesteam@source-communications.com containing:

1. Contact Information
2. Ship to address
3. Shipping method (Standard Ground, Overnight, etc.)
4. PO Number, or request for credit card authorization

MODULAR POLE SYSTEMS™



MONITOR TOUCHSCREEN POLE

Solid structural aluminum

Patented tilt & swivel supports 25lbs

Fits 75mm and 100mm Vesa Patterns

Available in 1", 2", and 3"



Mounting kit
included



DUAL MONITOR POLE

Patented tilt & swivel supports 25lbs

Solid structural aluminum

Fits 75mm and 100mm Vesa Patterns

Available in 2" and 3"



Mounting kit
included



PIVOTING EXTENDED MONITOR POLE

Tilt & Swivel VESA Monitor Mount
100mm & 75mm

Structural Extruded Aluminum Main Pole

Secure Installation

Available in 2" and 3"



MODULAR POLE SYSTEMS™ ACCESORIES

POPULAR ACCESORIES SHOWN, CUSTOM SOLUTIONS AVAILABLE

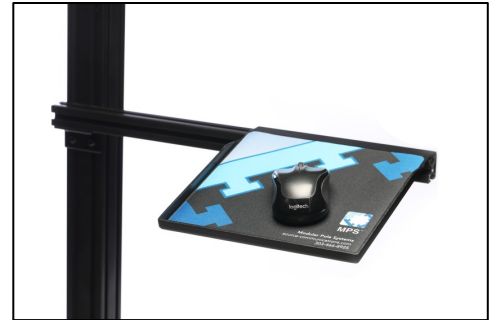


HAND SCANNER KIT

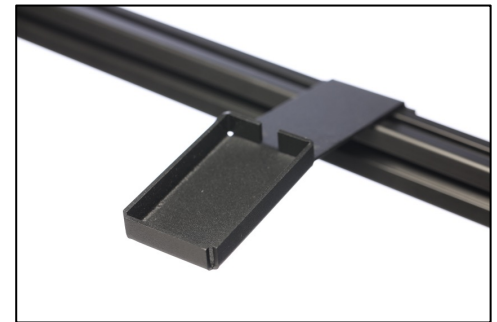
Includes arm, scanner plate, all required mounting hardware and brackets

Hinged scanner mount for hands free scanning

Works with with all major scanners



Keyboard Tray



Fingerprint Tray



HORIZONTAL UNDERSTAND™ ARM MOUNTING KIT

Includes horizontal arm, UnderStand card reader stand, and shelf

Made in USA



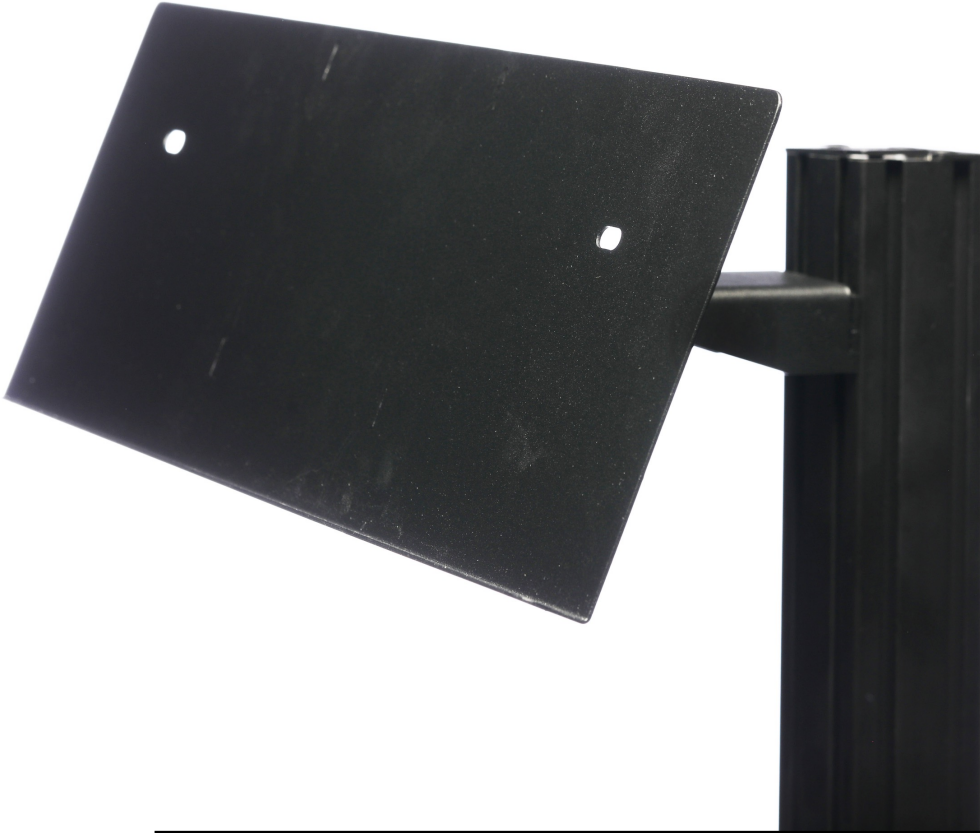
Mounting kit
included



KEYBOARD TRAY KIT

Includes keyboard tray, patented tilt and swivel hinge, and extension bracket

Compatible with all major computer manufactures



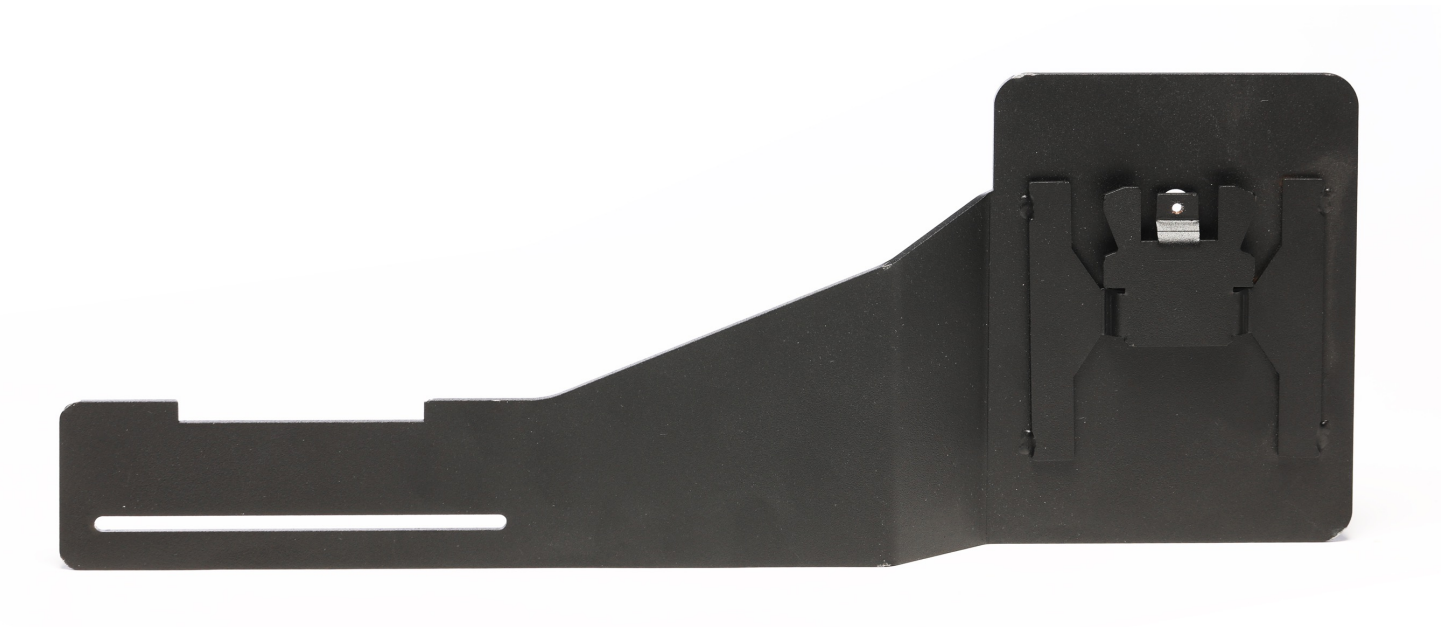
Mounting kit included



CREDIT CARD READER EXTENSION ARM

Add a card reader to your monitor
or touchscreen

Compatible with all major
computer manufactures



PRINTER AND CREDIT CARD COMBINATION STAND

Mount a credit card reader above a standard receipt printer

Ultimate space saving design

Counter or wall mountable



OFFICE



WALL MOUNT PRINTER SHELF

Heavy duty, wall mountable printer shelf

Will work with all major printer manufactures

Made in USA



VOIP PHONE HINGED BRACKET

Fits Polycomm VVX250, VVX450,
and Cisco phone models

Models also available for Cisco phones

Constant friction hinge allows phone
to be placed in any position with
easy access to back of phone

Protects phone

Made in USA



19" RACK MOUNT SHELF

Made in USA



UNDERSTANDS™



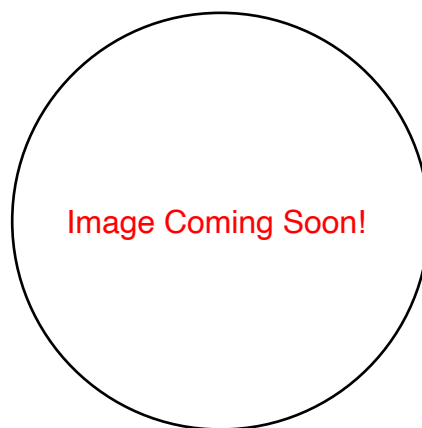
WEDGE MOUNT

Constant friction hinge for dependable tilting

Weighted base that can be paced in any location with rubber pad slide preventer

Fits all major card readers

PCI compliant



UNDERSTAND™ CLASSIC

Best tilting mechanism
and effortless 355° rotation

Patented Constant Friction Hinges

Engineered to be flexible, durable, and long lasting

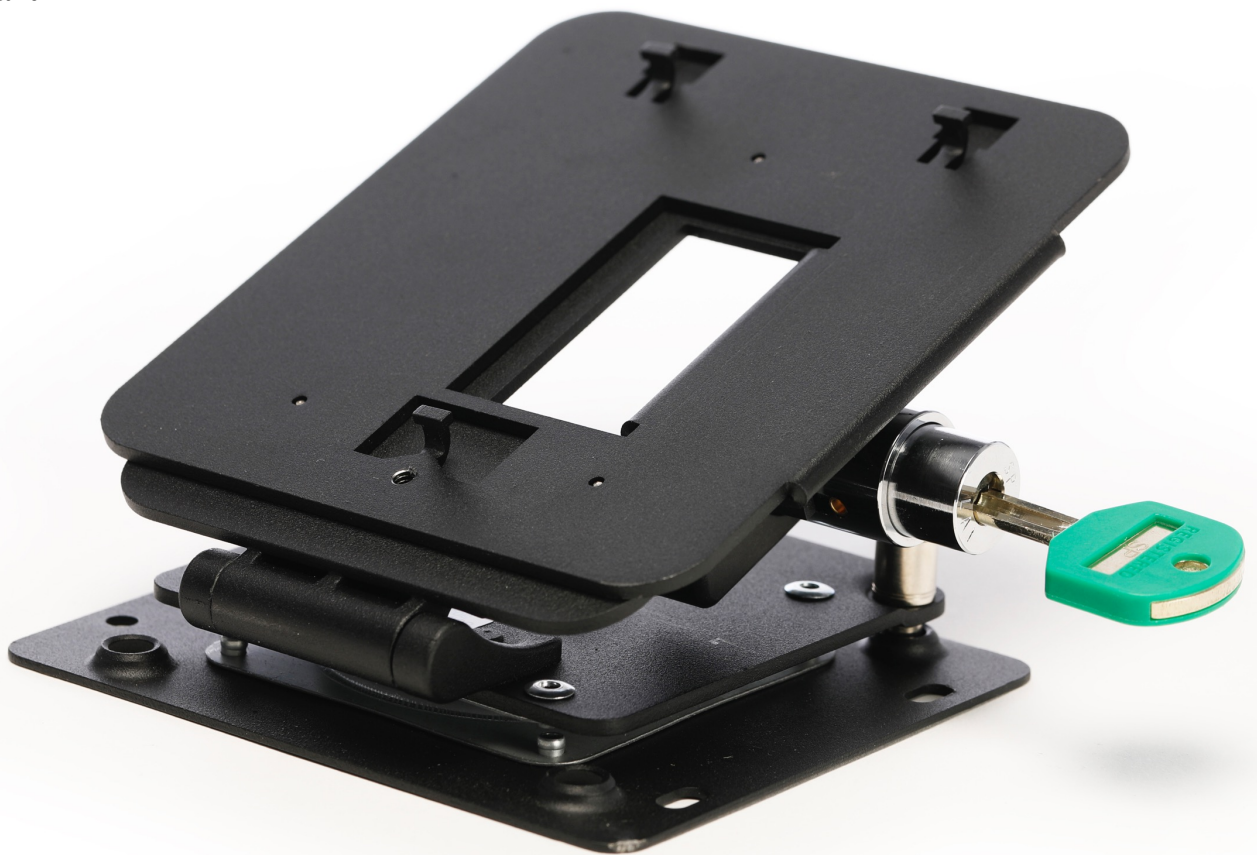
Two plate design is reusable
and easily upgradeable

Fits all major card readers

Three levels of security locking models available

Several locking options

PCI compliant



UNDERSTAND™ PLUS

Sleek, versatile, PCI DSS compliant

Tamper-proof and secure

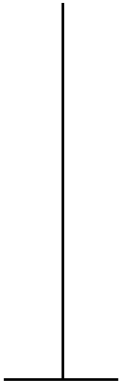
Holds all major brands of card readers

Three levels of security locking models available

PCI compliant



7" Tall



UNDERSTAND™ MINI

Smallest stand on the market

Only 3 inches tall, making the stand nearly invisible

Wall mount or counter mount

Three security options available

Fits all major card readers

PCI compliant



UNDERSTAND™

Magnetic rotation

Secured when not in use, gives the credit card reader a dedicated ADA compliant location

Omni-directional magnet tested with major credit card manufacture to ensure electronics are safe

Fits all major card readers

Three levels of security locking models available

PCI compliant



ADA UNDERSTAND FLEX ARM

Provides ADA compliance for card readers

Extended reach allows card reader to be placed 10” below mounted surface

Compatible with all major card manufactures

Made in USA



UNIVERSAL SELF CHECKOUT SHELF

Versatile all purpose

Stainless steel construction

Create extra space anywhere

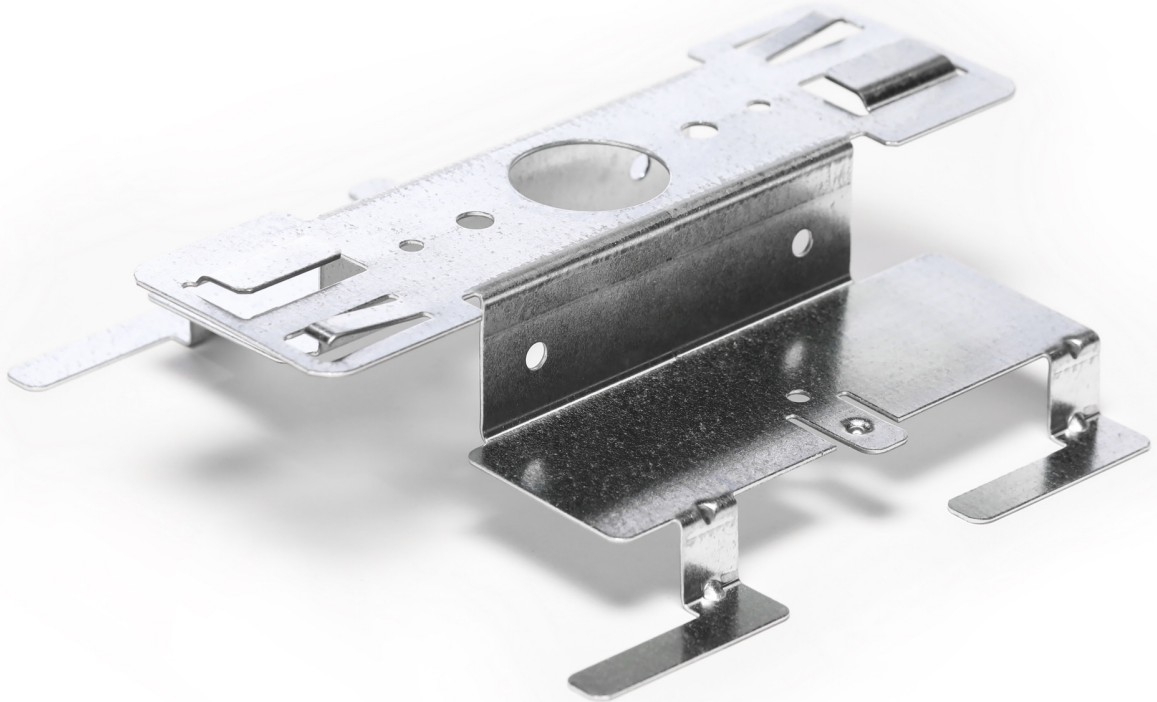
Made in USA



UNIVERSAL ACCESS POINT MOUNTING BRACKET

Mount bracket to drop tile ceiling,
hard deck or suspended from 3/4" conduit

Wall mount, grid mount, pole mount



Hand Scanner Tray



WIRELESS CASH CART™

Battery powered, fully functional point of sale

Solid metal construction, durable powder coat finish

Available with countless options including wheels
and auto-locking brake system

Fully customizable

Instant self check



Pictured with
permanent base kit





Don't see what you are looking for? Let us know what you have
and we'll create a custom solution to fit your needs!

(303) 466-8925

salesteam@source-communications.com
www.source-communications.com